

# BEST ONE

## SUBMERSIBLE ELECTRIC PUMPS

in AISI 304



**BEST ONE**



**BEST ONE VOX**

Submersible electric pumps for clean water with hydraulics in AISI 304 stainless steel.

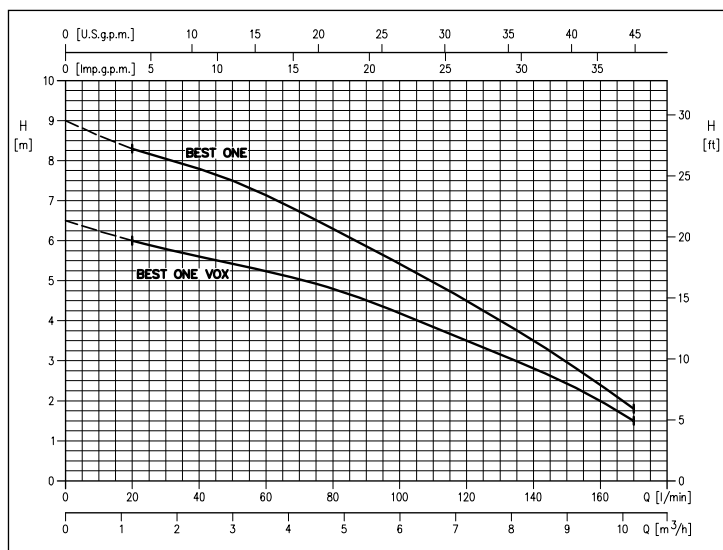
### APPLICATIONS

- Draining basements, garages, cellars or places subject to flooding
- Supplying garden fountains
- Easy emptying of tanks and reservoirs

### TECHNICAL DETAILS

- Standard mechanical seal
- New and revised design and shape
- Technologically and mechanically optimised
- Their versatility means they can be used in fixed or mobile installations
- Equipped with 5 m of H05 RN-F (single phase), H07 RN-F (three phase) power supply cable for indoor use (10 m for outdoor use), with or without float

### PERFORMANCE CURVES (according to ISO 9906 Attachment A)



### TECHNICAL DATA

- Maximum immersion: 5 m
- Maximum temperature of the liquid: 50°C
- Max. solids size for passage:
  - 10 mm
  - 20 mm for the VOX version (Vortex)
- Asynchronous motor, 2 poles
- Class of insulation F
- IP68 Protection rating
- 230V ±10%, 50Hz single phase voltage, 400 ±10%, 50Hz three phase voltage
- Discharge connection: G1¼

### MATERIALS

- External pump body, impeller, filter, motor cover, seal housing disc and motor case in AISI 304
- Shaft in AISI 303
- Mechanical seal in Carbon/Ceramic/NBR

### SPECIAL VERSIONS

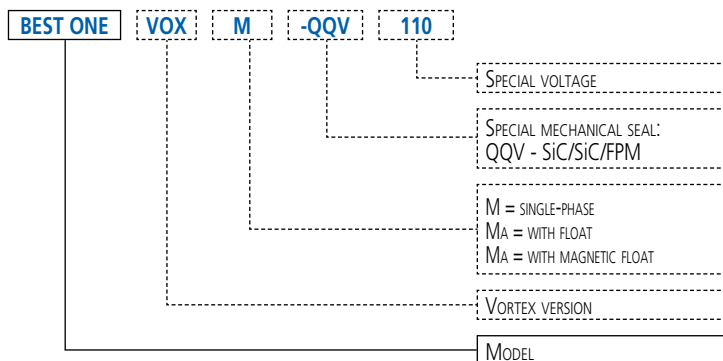
- MS version with magnetic float
- MA version with float
- VORTEX version (VOX)

### ACCESSORIES (on request)

- 1¼ outlet connector and relative clamp
- Minimum suction device up to 3 mm (for BEST ONE M, MA, T only)

For other accessories and control panels see from page 142

### IDENTIFICATION CODE



# BEST ONE

## SUBMERSIBLE ELECTRIC PUMPS in AISI 304

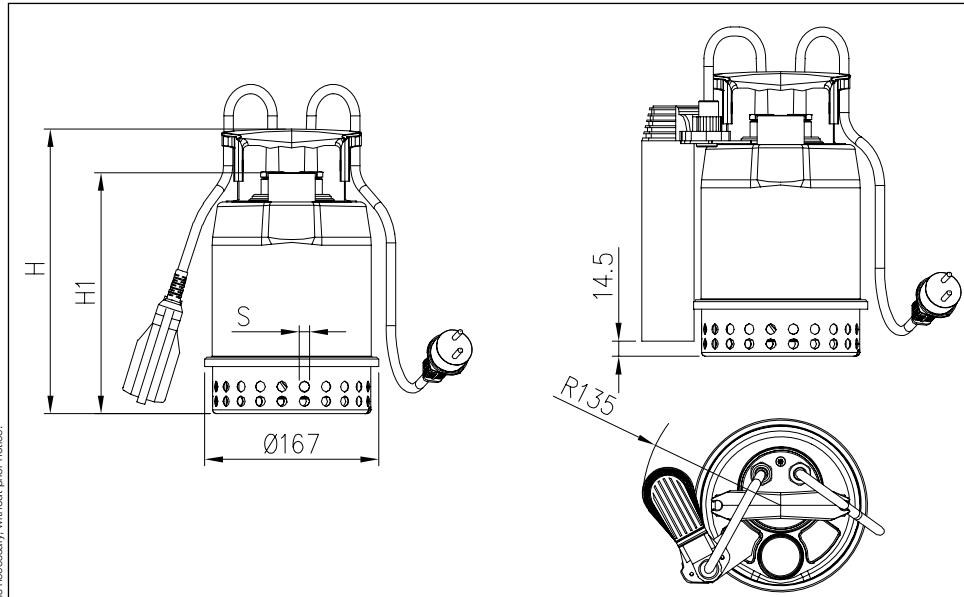
### PERFORMANCE TABLE

Model		P <sub>2</sub>		Capacitor		Absorbed Curr. [A]		Q=Flow rate						
Single phase 230V	Three phase 400V	[HP]	[kW]	μF	Vc	Monof.	Trif.	l/min	20	40	80	120	160	170
								m <sup>3</sup> /h	1,2	2,4	4,8	7,2	9,6	10,2
								H=Head [m]						
BEST ONE M	BEST ONE	0,33	0,25	8	450	2,3	0,8	8,3	7,8	6,3	4,5	2,4	1,8	
BEST ONE VOX M	BEST ONE VOX	0,33	0,25	8	450	2,2	0,8	6,0	5,6	4,8	3,5	2,0	1,5	

### DIMENSIONS

#### BEST ONE MA / BEST ONE VOX MA

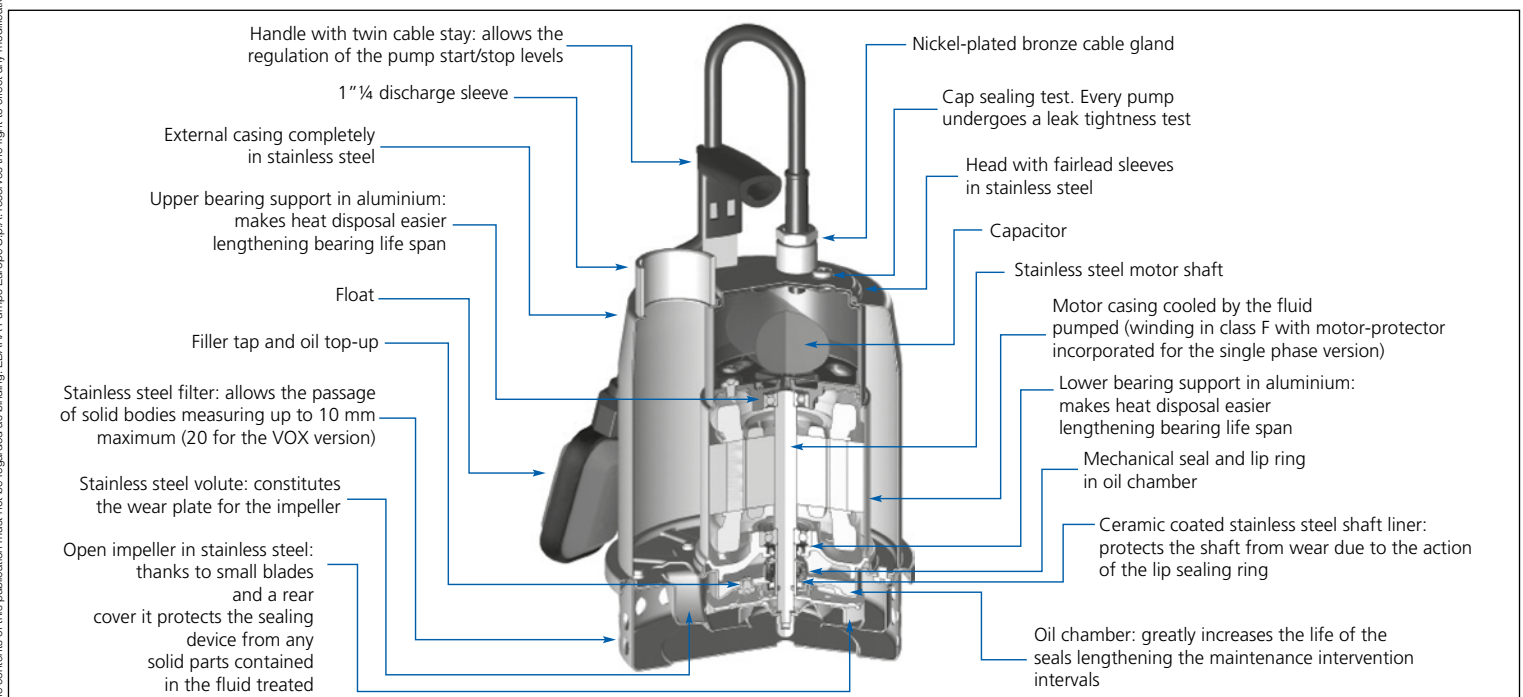
#### BEST ONE MS



### DIMENSIONS TABLE

Model	Dimensions [mm]			Weight [kg]
	H	H1	S	
BEST ONE	273	231	10	4,3
BEST ONE M	273	231	10	4,4
BEST ONE MA	273	231	10	4,6
BEST ONE MS	273	231	10	4,8
BEST ONE VOX	304	262	20	4,4
BEST ONE VOX M	304	262	20	4,5
BEST ONE VOX MA	304	262	20	4,7

### SECTIONAL VIEW



The contents of this publication must not be regarded as binding. EBARA Pumps Europe S.p.A. reserves the right to effect any modification it deems necessary, without prior notice.

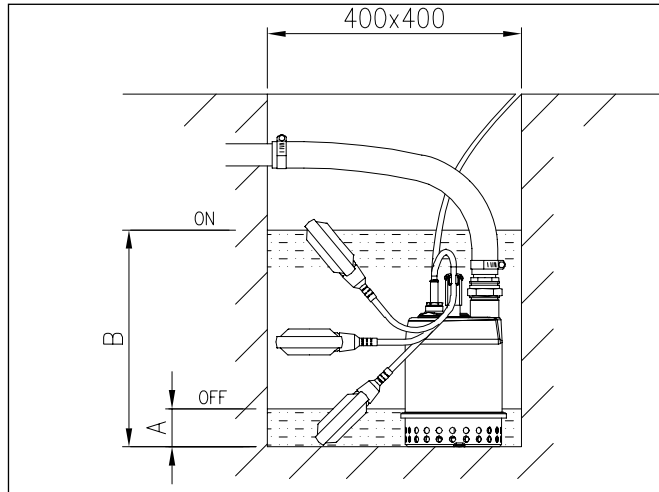
# BEST ONE

## SUBMERSIBLE ELECTRIC PUMPS

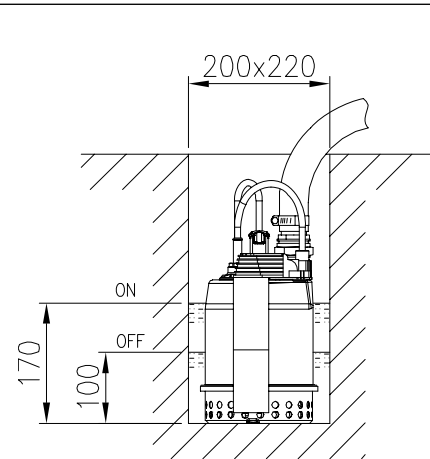
in AISI 304

### INSTALLATION

#### BEST ONE MA / BEST ONE VOX MA



#### BEST ONE MS



### INSTALLATION TABLE

Model	Dimensions [mm]	
	A	B
BEST ONE MA	110	305
BEST ONE VOX MA		330

### OPTIONAL

#### MINIMUM SUCTION DEVICE



The minimum suction device allows to suck the liquid up to 3 mm from the ground (starting from at least 10 mm).

It is easily mounted on the BEST ONE, by simply pressing.  
The automatic playing of the pump with float switch doesn't allow to the minimum suction device to suck out the liquid up to 3 mm from ground level.