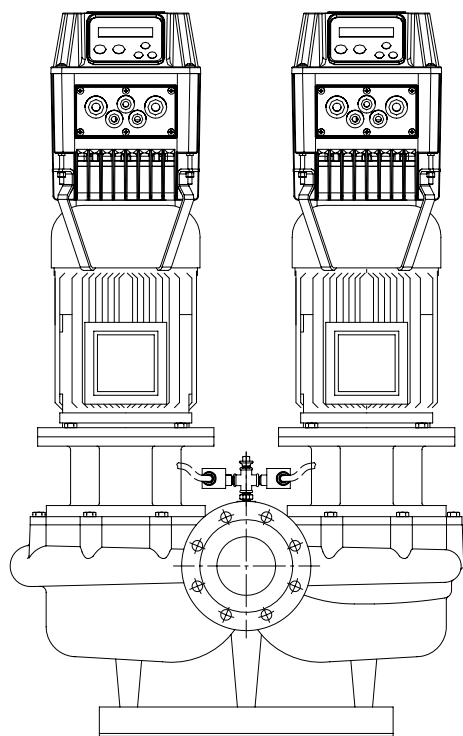
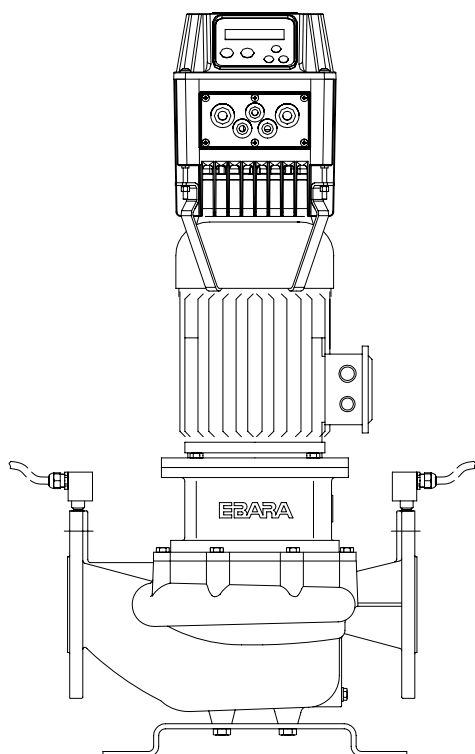


ELINE ELINED WITH E-drive

IN-LINE NORMALIZED ELECTRONIC ELECTROPUMPS + INVERTER

in cast iron



Single and twin in-line centrifugal electropumps with cast iron hydraulic components, single impeller, compliant with DIN 24255. Equipped with normalised motor combined with on-board inverter system.

APPLICATIONS

- Heating and air conditioning systems
- Refrigeration systems and hot water
- Industrial: pumping of clean fluids without suspended abrasive particles, chemically neutral

TECHNICAL FEATURES

- Mount directly to the line without support up to 3 kW power
- Very silent running
- Reduced footprint
- Easy to install/remove
- Low maintenance
- Save money and energy
- Extended system service life
- Minor stress on components subject to wear (mechanical seals, bearings, etc.)

PUMP SPECIFICATIONS

- Maximum operating pressure: 10 bar
- Fluid temperature: -10 - +120 °C (+140 °C on request)
- Admitted fluid: clean, chemically neutral, no suspension
- Flange (delivery and intake): DN 40 - DN 200

MOTOR SPECIFICATIONS

- 2/4-pole asynchronous three-phase motor
- Rotary speed: 2900 – 1450 rpm
- Insulation class: F
- Protection rating: IP55
- Ambient temperature: 40 °C
- Voltage:
 - 3~230/400V ±10% (for power ≤ 4 kW)
 - 3~400/690V ±10% (for power > 4 kW)
- Frequency: 50 Hz (60Hz on request)

E-DRIVE SPECIFICATIONS

- See page 216

MATERIALS

- Pump body and bellhousing in cast iron (GG-25)
- Cast iron impeller (GG-20)
- AISI 316 stainless steel shaft
- Graphite/ceramic mechanical seal
- Gasket/O-ring in paper/NBR

ACCESSORIES AND OPTIONS (on request)

- Anti-condensation heating elements
- Temperature sensors (PT100), thermistors (PTC)

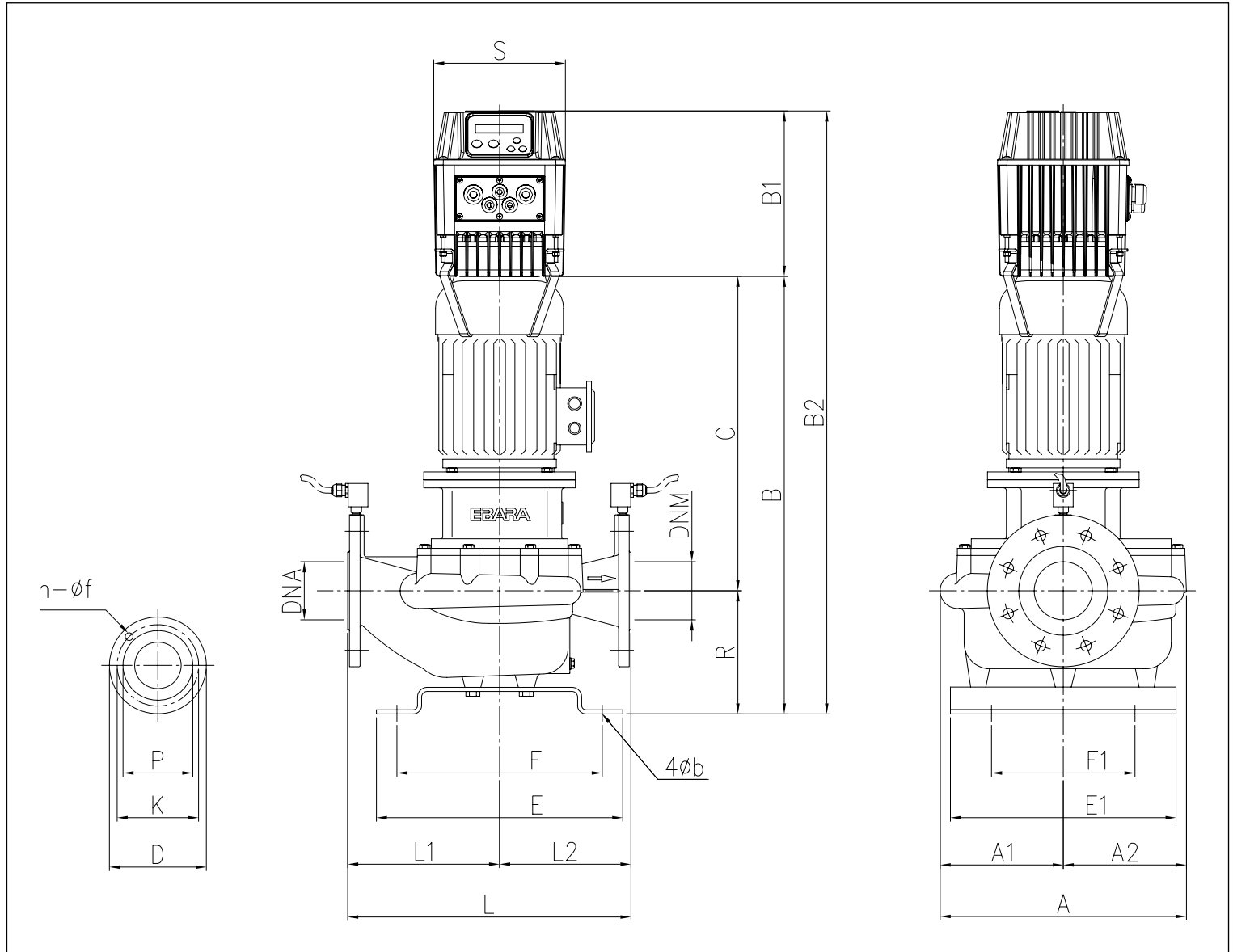
ELINE ELINED WITH E-drive

IN-LINE NORMALIZED ELECTRONIC ELECTROPUMPS + INVERTER

in cast iron

ELINE(4) + E-drive

2 and 4-Pole



ELINE ELINED WITH E-drive

IN-LINE NORMALIZED ELECTRONIC ELECTROPUMPS + INVERTER

in cast iron

DIMENSION CHART ELINE4 + E-drive

4-Pole

Model	Dimensions [mm]																				Weight [kg] Pump + E-drive				
	DNA	DNM	n	f	P	K	D	B	R	C	B1	B2	S	L	L1	L2	A	A1	A2	E		F	E1	F1	b
EL4 100-160/1.5 C (MT)	DN100	DN100	8	18	158	180	220	625	195	820	228	853	181	495	270	225	315	175	140	300	250	300	200	15	74.4
EL4 100-160/2.2 B	DN100	DN100	8	18	158	180	220	695	195	890	228	923	181	495	270	225	315	175	140	300	250	300	200	15	81.4
EL4 100-160/2.2 C	DN100	DN100	8	18	158	180	220	695	195	890	228	923	181	495	270	225	315	175	140	300	250	300	200	15	81.4
EL4 100-160/3 A	DN100	DN100	8	18	158	180	220	695	195	890	228	923	181	495	270	225	315	175	140	300	250	300	200	15	85.4
EL4 100-160/3 B	DN100	DN100	8	18	158	180	220	695	195	890	228	923	181	495	270	225	315	175	140	300	250	300	200	15	85.4
EL4 100-160/4 A	DN100	DN100	8	18	158	180	220	695	195	890	228	923	181	495	270	225	315	175	140	300	250	300	200	15	90.4
EL4 100-200/3 C	DN100	DN100	8	18	158	180	220	825	290	1115	228	1053	181	550	275	275	345	190	155	300	250	300	200	15	110.4
EL4 100-200/3 D	DN100	DN100	8	18	158	180	220	825	290	1115	228	1053	181	550	275	275	345	190	155	300	250	300	200	15	110.4
EL4 100-200/4 B	DN100	DN100	8	18	158	180	220	825	290	1115	228	1053	181	550	275	275	345	190	155	300	250	300	200	15	116.4
EL4 100-200/4 C	DN100	DN100	8	18	158	180	220	825	290	1115	228	1053	181	550	275	275	345	190	155	300	250	300	200	15	116.4
EL4 100-200/5.5 A	DN100	DN100	8	18	158	180	220	910	290	1200	180	1090	260	550	275	275	345	190	155	300	250	300	200	15	132.0
EL4 100-200/5.5 B	DN100	DN100	8	18	158	180	220	910	290	1200	180	1090	260	550	275	275	345	190	155	300	250	300	200	15	132.0
EL4 100-250/5.5 B	DN100	DN100	8	18	158	180	220	790	185	975	180	970	260	585	290	295	400	215	185	300	250	300	200	15	128.0
EL4 100-250/5.5 C	DN100	DN100	8	18	158	180	220	790	185	975	180	970	260	585	290	295	400	215	185	300	250	300	200	15	128.0
EL4 100-250/7.5 A	DN100	DN100	8	18	158	180	220	790	185	975	180	970	260	585	290	295	400	215	185	300	250	300	200	15	139.0
EL4 100-250/7.5 B	DN100	DN100	8	18	158	180	220	790	185	975	180	970	260	585	290	295	400	215	185	300	250	300	200	15	139.0
EL4 100-250/9.2 A	DN100	DN100	8	18	158	180	220	790	185	975	180	970	260	585	290	295	400	215	185	300	250	300	200	15	145.0
EL4 100-250/11 A	DN100	DN100	8	18	158	180	220	950	185	1135	180	1130	260	585	290	295	400	215	185	500	440	500	300	18	190.0
EL4 125-200/4 D	DN125	DN125	8	18	188	210	250	825	290	1115	228	1053	181	620	340	280	365	205	160	300	250	300	200	15	143.4
EL4 125-200/5.5 B	DN125	DN125	8	18	188	210	250	910	290	1200	180	1090	260	620	340	280	365	205	160	300	250	300	200	15	156.0
EL4 125-200/5.5 C	DN125	DN125	8	18	188	210	250	910	290	1200	180	1090	260	620	340	280	365	205	160	300	250	300	200	15	156.0
EL4 125-200/7.5 A	DN125	DN125	8	18	188	210	250	910	290	1200	180	1090	260	620	340	280	365	205	160	300	250	300	200	15	166.0
EL4 125-200/7.5 B	DN125	DN125	8	18	188	210	250	910	290	1200	180	1090	260	620	340	280	365	205	160	300	250	300	200	15	166.0
EL4 125-200/11 A	DN125	DN125	8	18	188	210	250	1020	290	1310	180	1200	260	620	340	280	380	205	175	500	440	500	300	18	191.0
EL4 125-250/7.5 C	DN125	DN125	8	18	188	210	250	905	290	1195	180	1085	260	620	340	280	405	220	185	300	250	300	200	15	172.0
EL4 125-250/7.5 D	DN125	DN125	8	18	188	210	250	905	290	1195	180	1085	260	620	340	280	405	220	185	300	250	300	200	15	172.0
EL4 125-250/11 A	DN125	DN125	8	18	188	210	250	1015	290	1305	180	1195	260	620	340	280	405	220	185	500	440	500	300	18	197.0
EL4 125-250/11 B	DN125	DN125	8	18	188	210	250	1015	290	1305	180	1195	260	620	340	280	405	220	185	500	440	500	300	18	197.0
EL4 125-250/11 C	DN125	DN125	8	18	188	210	250	1015	290	1305	180	1195	260	620	340	280	405	220	185	500	440	500	300	18	197.0
EL4 125-250/15 A	DN125	DN125	8	18	188	210	250	1015	290	1305	180	1195	260	620	340	280	405	220	185	500	440	500	300	18	210.0
EL4 150-200/5.5 D	DN150	DN150	8	22	212	240	285	935	315	1250	180	1115	260	700	370	330	430	245	185	300	250	300	200	15	190.0
EL4 150-200/7.5 B	DN150	DN150	8	22	212	240	285	935	315	1250	180	1115	260	700	370	330	430	245	185	300	250	300	200	15	200.0
EL4 150-200/7.5 C	DN150	DN150	8	22	212	240	285	935	315	1250	180	1115	260	700	370	330	430	245	185	300	250	300	200	15	200.0
EL4 150-200/11 A	DN150	DN150	8	22	212	240	285	1045	315	1360	180	1225	260	700	370	330	430	245	185	500	440	500	300	18	225.0
EL4 150-200/11 B	DN150	DN150	8	22	212	240	285	1045	315	1360	180	1225	260	700	370	330	430	245	185	500	440	500	300	18	225.0
EL4 150-250/11 D	DN150	DN150	8	22	212	240	285	1040	315	1355	180	1220	260	700	370	330	460	255	205	500	440	500	300	18	282.0
EL4 150-250/15 B	DN150	DN150	8	22	212	240	285	1040	315	1355	180	1220	260	700	370	330	460	255	205	500	440	500	300	18	295.0
EL4 150-250/15 C	DN150	DN150	8	22	212	240	285	1040	315	1355	180	1220	260	700	370	330	460	255	205	500	440	500	300	18	295.0
EL4 200-250/15 D	DN200	DN200	8	22	268	295	340	1065	340	1405	180	1245	260	920	470	450	515	290	225	500	440	500	300	18	301.0

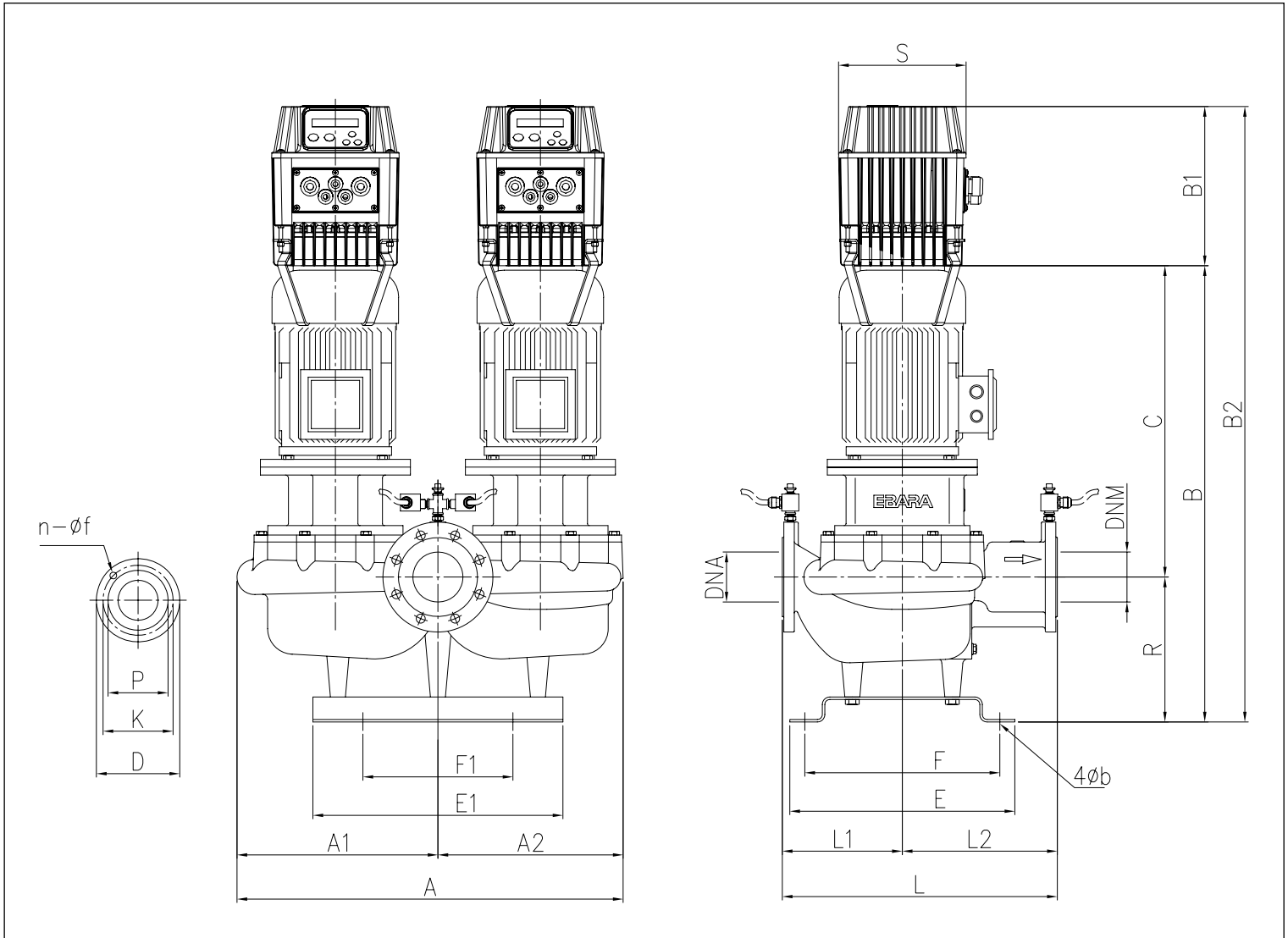
The contents of this publication must not be regarded as binding. EBARA Pumps Europe S.p.A. reserves the right to effect any modification/changes necessary, without prior notice.

ELINE ELINED with E-drive

IN-LINE NORMALIZED ELECTRONIC ELECTROPUMPS + INVERTER
in cast iron

ELINED(4) + E-drive

2 and 4-Pole



The contents of this publication must not be regarded as binding. EBARA Pumps Europe S.p.A. reserves the right to effect any modification it deems necessary, without prior notice.

ELINE ELINED WITH E-drive

IN-LINE NORMALIZED ELECTRONIC ELECTROPUMPS + INVERTER

in cast iron

DIMENSION CHART ELINED + E-drive

2-Pole

Model	Dimensions [mm]														L1	L2	A	A1	A2	E	F	E1	F1	b	Weight [kg] Pump + E-drive
	DNA	DNM	n	f	P	K	D	B	R	C	B1	B2	S	L											
ELD 40-160/2.2 C	DN40	DN40	4	18	88	110	150	640	210	430	228	868	181	360	175	185	470	240	230	300	250	300	200	15	95.8
ELD 40-160/3 B	DN40	DN40	4	18	88	110	150	665	210	455	228	893	181	360	175	185	470	240	230	300	250	300	200	15	117.8
ELD 40-160/4 A	DN40	DN40	4	18	88	110	150	685	210	475	228	913	181	360	175	185	470	240	230	300	250	300	200	15	125.8
ELD 40-160/4 B	DN40	DN40	4	18	88	110	150	685	210	475	228	913	181	360	175	185	470	240	230	300	250	300	200	15	125.8
ELD 40-160/5.5 A	DN40	DN40	4	18	88	110	150	685	210	475	180	865	260	360	175	185	470	240	230	300	250	300	200	15	101.0
ELD 50-200/7.5 C	DN50	DN40	4	18	102	125	165	790	210	580	180	970	260	465	210	255	580	295	285	300	250	300	200	15	123.0
ELD 50-200/9.2 B	DN50	DN50	4	18	102	125	165	830	210	620	180	1010	260	465	210	255	580	295	285	300	250	300	200	15	131.0
ELD 50-200/9.2 C	DN50	DN50	4	18	102	125	165	830	210	620	180	1010	260	465	210	255	580	295	285	300	250	300	200	15	131.0
ELD 50-200/11 A	DN50	DN50	4	18	102	125	165	830	210	620	180	1010	260	465	210	255	580	295	285	300	250	300	200	15	157.0
ELD 50-200/11 B	DN50	DN50	4	18	102	125	165	830	210	620	180	1010	260	465	210	255	580	295	285	300	250	300	200	15	191.0
ELD 65-160/5.5 C	DN65	DN65	4	18	122	145	185	735	210	525	180	915	260	475	210	265	540	275	265	300	250	300	200	15	205.0
ELD 65-160/7.5 B	DN65	DN65	4	18	122	145	185	780	210	570	180	960	260	475	210	265	540	275	265	300	250	300	200	15	205.0
ELD 65-160/9.2 A	DN65	DN65	4	18	122	145	185	780	210	570	180	960	260	475	210	265	540	275	265	300	250	300	200	15	231.0
ELD 65-160/9.2 B	DN65	DN65	4	18	122	145	185	780	210	570	180	960	260	475	210	265	540	275	265	300	250	300	200	15	231.0
ELD 65-160/11 A	DN65	DN65	4	18	122	145	185	780	210	570	180	960	260	475	210	265	540	275	265	300	250	300	200	15	178.0
ELD 80-160/7.5 C	DN80	DN80	8	18	138	160	200	775	210	565	180	955	260	500	240	260	590	295	295	300	250	300	200	15	188.0
ELD 80-160/9.2 B	DN80	DN80	8	18	138	160	200	815	210	605	180	995	260	500	240	260	590	295	295	300	250	300	200	15	202.0
ELD 80-160/9.2 C	DN80	DN80	8	18	138	160	200	815	210	605	180	995	260	500	240	260	590	295	295	300	250	300	200	15	202.0
ELD 80-160/11 B	DN80	DN80	8	18	138	160	200	815	210	605	180	995	260	500	240	260	590	295	295	300	250	300	200	15	226.0
ELD 100-160/11 D	DN100	DN100	8	18	158	180	220	1005	290	715	180	1185	260	550	265	285	760	380	380	500	440	500	300	18	279.0
ELD 100-160/15 C	DN100	DN100	8	18	158	180	220	1005	290	715	180	1185	260	550	265	285	760	380	380	500	440	500	300	18	295.0

DIMENSION CHART ELINED4 + E-drive

4-Pole

Model	Dimensions [mm]														L1	L2	A	A1	A2	E	F	E1	F1	b	Weight [kg] Pump + E-drive
	DNA	DNM	n	f	P	K	D	B	R	C	B1	B2	S	L											
ELD4 40-160/0.55 A (MT)	DN40	DN40	4	18	88	110	150	600	210	810	228	828	181	360	175	185	470	240	230	300	250	300	200	15	81.8
ELD4 40-160/0.55 B (MT)	DN40	DN40	4	18	88	110	150	600	210	810	228	828	181	360	175	185	470	240	230	300	250	300	200	15	81.8
ELD4 40-160/0.55 C (MT)	DN40	DN40	4	18	88	110	150	600	210	810	228	828	181	360	175	185	470	240	230	300	250	300	200	15	81.8
ELD4 40-160/0.75 A (MT)	DN40	DN40	4	18	88	110	150	600	210	810	228	828	181	360	175	185	470	240	230	300	250	300	200	15	85.8
ELD4 50-200/1.1 B (MT)	DN50	DN50	4	18	102	125	165	615	210	825	228	843	181	465	210	255	580	295	285	300	250	300	200	15	113.8
ELD4 50-200/1.1 C (MT)	DN50	DN50	4	18	102	125	165	615	210	825	228	843	181	465	210	255	580	295	285	300	250	300	200	15	113.8
ELD4 50-200/1.5 A (MT)	DN50	DN50	4	18	102	125	165	615	210	825	228	843	181	465	210	255	580	295	285	300	250	300	200	15	117.8
ELD4 50-200/1.5 B (MT)	DN50	DN50	4	18	102	125	165	615	210	825	228	843	181	465	210	255	580	295	285	300	250	300	200	15	117.8
ELD4 50-250/2.2 A	DN50	DN50	4	18	102	125	165	710	210	920	228	938	181	465	210	255	660	330	330	300	250	300	200	15	153.8
ELD4 50-250/2.2 B	DN50	DN50	4	18	102	125	165	710	210	920	228	938	181	465	210	255	660	330	330	300	250	300	200	15	153.8
ELD4 50-250/2.2 C	DN50	DN50	4	18	102	125	165	710	210	920	228	938	181	465	210	255	660	330	330	300	250	300	200	15	153.8
ELD4 50-250/3 A	DN50	DN50	4	18	102	125	165	710	210	920	228	938	181	465	210	255	660	330	330	300	250	300	200	15	161.8
ELD4 65-160/0.75 C (MT)	DN65	DN65	4	18	122	145	185	600	210	810	228	828	181	475	210	265	540	275	265	300	250	300	200	15	104.8
ELD4 65-160/1.1 B (MT)	DN65	DN65	4	18	122	145	185	640	210	850	228	868	181	475	210	265	540	275	265	300	250	300	200	15	110.8
ELD4 65-160/1.5 A (MT)	DN65	DN65	4	18	122	145	185	640	210	850	228	868	181	475	210	265	540	275	265	300	250	300	200	15	114.8
ELD4 65-200/1.5 C (MT)	DN65	DN65	4	18	122	145	185	640	210	850	228	868	181	475	210	265	610	310	300	300	250	300	200	15	127.8
ELD4 65-200/2.2 A	DN65	DN65	4	18	122	145	185	710	210	920	228	938	181	475	210	265	610	310	300	300	250	300	200	15	139.8
ELD4 65-200/2.2 B	DN65	DN65	4	18	122	145	185	710	210	920	228	938	181	475	210	265	610	310	300	300	250	300	200	15	139.8
ELD4 65-200/2.2 C	DN65	DN65	4	18	122	145	185	710	210	920	228	938	181	475	210	265	610	310	300	300	250	300	200	15	139.8
ELD4 65-200/3 A	DN65	DN65	4	18	122	145	185	710	210	920	228	938	181	475	210	265	610	310	300	300	250	300	200	15	149.8
ELD4 65-200/3 B	DN65	DN65	4	18	122	145	185	710	210	920	228	938	181	475	210	265	610	310	300	300	250	300	200	15	149.8
ELD4 65-250/2.2 C	DN65	DN65	4	18	122	145	185	710	210	920	228	938	181	475	210	265	710	360	350	300	250	300	200	15	166.8
ELD4 65-250/3 B	DN65	DN65	4	18	122	145	185	710	210	920	228	938	181	475	210	265	710	360	350	300	250	300	200	15	174.8
ELD4 65-250/3 C	DN65	DN65	4	18	122	145	185	710	210	920	228	938	181	475	210	265	710	360	350	300	250	300	200	15	174.8
ELD4 65-250/4 A	DN65	DN65	4	18	122	145	185	710	210	920	228	938	181	475	210	265	710	360	350	300	250	300	200	15	186.8
ELD4 65-250/4 B	DN65	DN65	4	18	122	145	185	710	210	920	228	938	181	475	210	265	710	360	350	300	250	300	200	15	186.8
ELD4 65-250/5.5 A	DN65	DN65	4	18	122	145	185	790	210	1000	180	970	181	475	210	265	710	360	350	300	250	300	200	15	215.0

